



Tophat Solar Marker Light Operations Manual



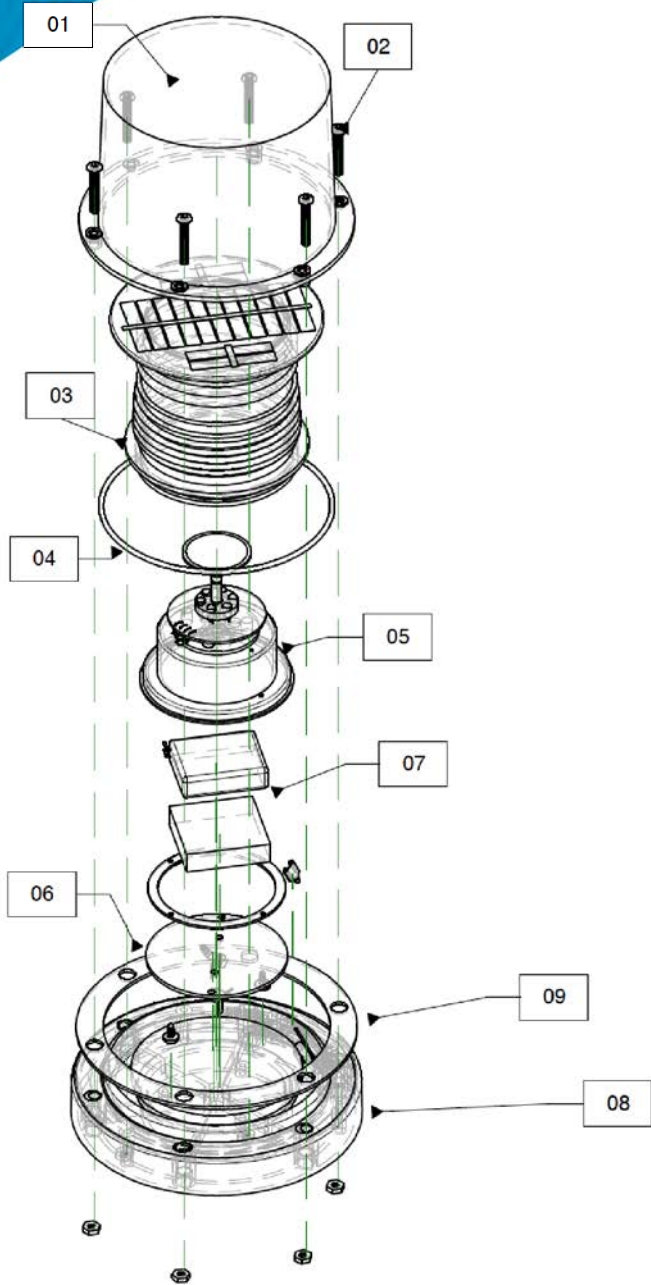
Tophat Solar Marker Light

The McDermott model TOPHAT is a rugged and waterproof solar marker light with near limitless applications for the marine industry and beyond.

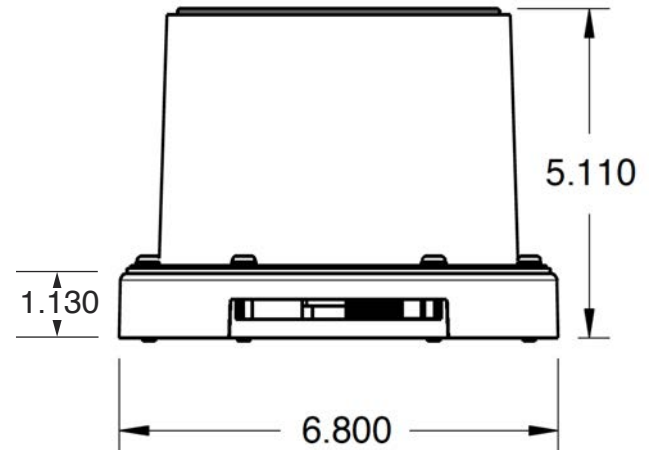




Tophat Solar Marker Light Assembly



| Number | Part |
|--------|-----------------------------|
| 01 | Dome |
| 02 | Hex Screw & Nut x 6 |
| 03 | Solar Panel & LE820 Lens |
| 04 | O-ring |
| 05 | Internal LED Mechanism |
| 06 | Battery Compartment |
| 07 | NI-MH Battery Pack |
| 08 | Base Plate with Reed Switch |
| 09 | Base Gasket |



**Operating Temperatures:
0°C / 32°F - 50°C / 122°F**





Tophat Solar Marker Light

Installation Instructions

When installing a Tophat solar light for the first time, it should be placed in the sun for 1 day to ensure the battery is charged.

Note: If installation is occurring after a light has been in storage for an extended period of time, it should be placed in the sun for 3 days with the slide switch in the off position.

- When light is secured to the final mounted location, move the slide switch on the base to the on position.
- Light comes pre-programmed in steady or flashing mode and will now function automatically by remaining off and in a charging state during daylight hours and will turn on in a fully lit state during night time hours
- Each light ships with an alternate always-on mode switch. Instructions for changing the slide switch to an always-on mode are included on page 7





Tophat Solar Marker Light

Maintenance Instructions for Replacing NI-MH Battery Pack

Required Tools:

- 5/32 Allen Key
- 1/8 Allen Key
- Philips Screwdriver
- Wirecutters
- Wire cap crimping tool
- Wire crimp caps x2

Step 1: Place light on flat surface and use Allen key to loosen the 6 screws from the base.

Step 2: Remove dome.

Step 3: Carefully lift solar panel and lens assembly, turn over and slide end connectors off of brass contacts on base plate.

Step 4: Remove o-ring and peel gasket off of base

Step 5: Place new gasket on base making sure to line up screw holes then place o-ring over gasket and using the included brush and grease, liberally grease the gasket.

Step 6: Remove 2 screws from base plate and remove base plate and foam pad.

Step 7: Take up battery pack and cut the red and black wires at the battery pack taking care not to cut both wires at the same time and not to cut silver wire.

Step 8: Dispose of old battery pack.

Step 9: Strip the red and black wires connected to the contact plate 1/4 of an inch and then strip the red and black wire on the new battery pack 1/4 of an inch.

Step 10: Twist the red wire from the battery pack to the red wire on the contact plate and twist the black wire from the battery pack to the black wire on the contact plate.

Step 11: Place crimping caps over red and black wires and crimp.

Step 12: Place the battery pack and foam pad back in cup and place contact plate over cup making sure to line up screw holes.

Step 13: Replace screws and connect base wires to brass contacts.

Step 14: With the solar panel covered move slide switch to on position to test battery pack.

Step 15: Place solar panel and lens assembly onto base center and place dome onto base and screw in base screws.





Tophat Solar Marker Light

Troubleshooting

| Problem | Steps |
|-------------------------|---|
| Light will not activate | <ul style="list-style-type: none">• Ensure slide switch is in on position and solar panel is covered or in a dimly lit room.• Move slide switch to off position and place light in sunlight for 48 hours• Retest light in dimly lit room or with covered panel• Using a philips head screw driver remove slide switch from base to ensure magnet is in slide switch• Contact us at (718) 456-3606 |

Please note:

The McDermott model TOPHAT solar light comes with a one year warranty from the original ship date.

If during that first year period you encounter a problem with your light please contact us at (718) 456-3606



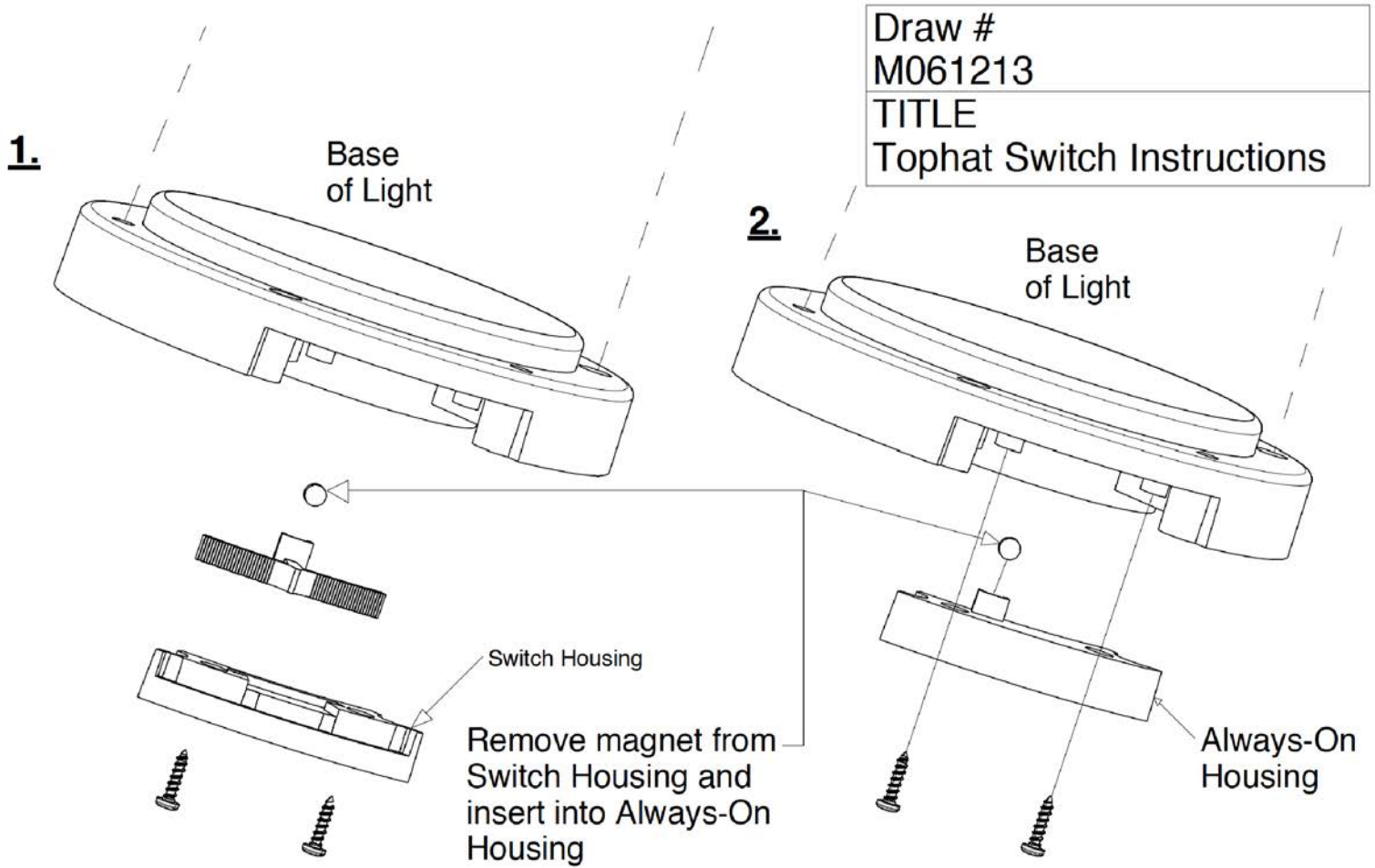


Tophat Solar Marker Light

TOPHAT ALWAYS-ON MODE IN- STRUCTIONS

Each light is shipped with a slide switch inside the Switch Housing. If you want to lock the unit into Always-On mode*, unscrew the Switch Housing and remove the magnet from the slide switch. Put the magnet into the Always-On Housing and screw the Always-On Housing into the base as shown below.

* When light is in the Always-On mode, it cannot be manually turned off. The light will continue to turn on automatically at night and off during the day.





Tophat Solar Marker Light

Tips on storing the McDermott Tophat Series Solar Lights

If you are taking the light out of service for the season, slide the switch to the OFF position, for best results store in a location which receives some sunlight, but not absolutely required.

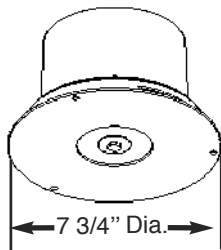
To put the light back into service, leave the light in direct sunlight for three days with the switch slid to the OFF position. The batteries should be fully charged and the light will be ready to deploy.

Eventually the batteries may lose their capacity to hold charge. You can order replacement battery packs as listed below:

Order BP-3AA-MH for White, Green and Blue colored TOPHAT lights.
Order BP-4AAA-MH for Red and Amber colored TOPHAT lights.

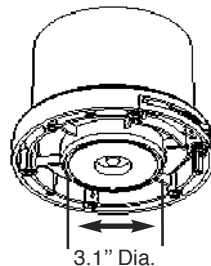
Mounting Options TOPHAT & TOPHATX

FLATP MOUNT



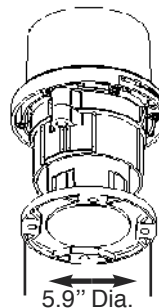
TOPHAT-FLATP

MAG MOUNT



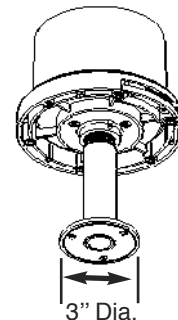
TOPHAT-MAG

PLAT MOUNT



TOPHAT-PLAT

PIPE MOUNT



TOPHAT-PIPE

